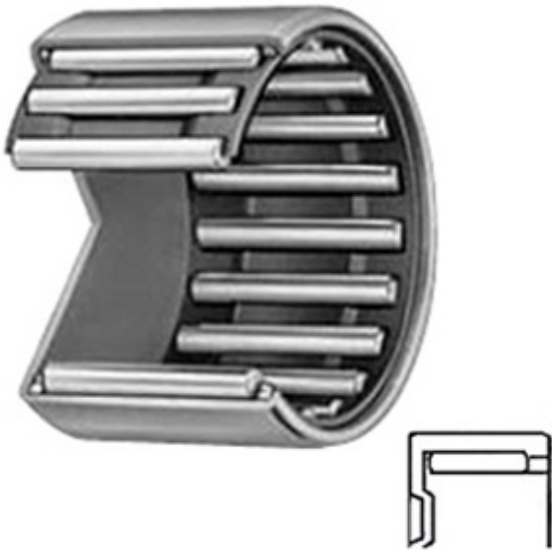




## NTN Bearing de Mexico, S.A.



BK0609B Bearing 2D drawings and 3D CAD models

0.236 Inch | 6 Millimeter x 0.394 Inch | 10  
Millimeter x 0.354 Inch | 9 Millimeter KOYO  
BK0609B Needle Non Thrust Roller Bearings

Bearing No. BK0609B

Category	Needle Non Thrust Roller Bearings
Inventory	0.0
Manufacturer Name	KOYO
Minimum Buy Quantity	N/A
Weight	0.007
EAN	0060579021121
Product Group	B04144
Rolling Element	Needle Roller Bearing
Component	Roller Assembly with Outer Ring - No Inner Ring
Enclosure	Open
Self Aligning	No
Retainer	Yes
Number of Rows of Rollers	Single Row
Separable	No
Closed End	Yes
Inch - Metric	Metric
Relubricatable	No
Thrust Bearing	No
Long Description	6MM Bore; 10MM Outside Diameter; 9MM Width; Needle Roller Bearing; Roller Assembly with Outer Ring - No Inner Ring; Open Enclosure; No Self Aligning; Retainer; Single Row of



## NTN Bearing de Mexico, S.A.

	Rollers; No Separable; Clo
Other Features	1 Rib Outer Ring   Drawn Cup Bearing   Steel Cage
Category	Needle Non Thrust Roller Bearing
UNSPSC	31171512
Harmonized Tariff Code	8482.40.00.00
Noun	Bearing
Keyword String	Needle
Manufacturer URL	<a href="http://www.koyousa.com">http://www.koyousa.com</a>
Manufacturer Item Number	BK0609B
Weight / LBS	0.007
d	0.236 Inch   6 Millimeter
D	0.394 Inch   10 Millimeter
B	0.354 Inch   9 Millimeter